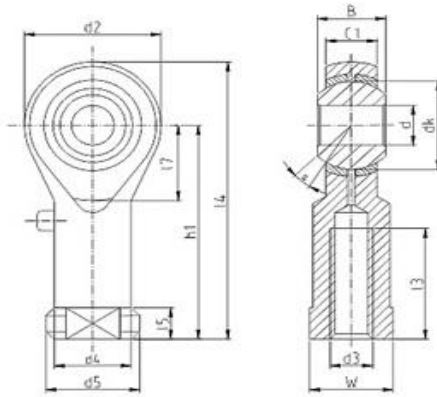


# PHS SERIES ROD ENDS



| Part Number              | Dimensions |    |      |      |    |          |     |    |     |     |      |    |      |    | Basic Load Rating |         | $\alpha$ | Weight (kg) |
|--------------------------|------------|----|------|------|----|----------|-----|----|-----|-----|------|----|------|----|-------------------|---------|----------|-------------|
|                          | d          | B  | dk   | C1   | d2 | d3       | h1  | l3 | l4  | l5  | l7   | w  | d4   | d5 | Cr(KN)            | Cor(KN) |          |             |
| PHS5 / PHS5L             | 5          | 8  | 11.1 | 6    | 16 | M5*0.80  | 27  | 14 | 35  | 4   | 8    | 9  | 9    | 11 | 3.3               | 4.1     | 13       | 0.016       |
| PHS6 / PHS 6L            | 6          | 9  | 12.7 | 6.75 | 18 | M6*1.00  | 30  | 14 | 39  | 5   | 9    | 11 | 10   | 13 | 4.3               | 5.3     | 13       | 0.026       |
| PHS8X1.0 / PHS8LX1.0     | 8          | 12 | 15.8 | 9    | 22 | M8*1.00  | 36  | 17 | 47  | 5   | 11   | 14 | 12.5 | 16 | 6.8               | 8.5     | 14       | 0.044       |
| PHS8 / PHS8L             | 8          | 12 | 15.8 | 9    | 22 | M8*1.25  | 36  | 17 | 47  | 5   | 11   | 14 | 12.5 | 16 | 6.8               | 8.5     | 14       | 0.044       |
| PHS10X1.25 / PHS10LX1.25 | 10         | 14 | 19.1 | 10.5 | 26 | M10*1.25 | 43  | 21 | 56  | 6.5 | 13   | 17 | 15   | 19 | 10                | 11      | 13       | 0.072       |
| PHS10 / PHS10L           | 10         | 14 | 19.1 | 10.5 | 26 | M10*1.50 | 43  | 21 | 56  | 6.5 | 13   | 17 | 15   | 19 | 10                | 11      | 13       | 0.072       |
| PHS12X1.25 / PHS12LX1.25 | 12         | 16 | 22.2 | 12   | 30 | M12*1.25 | 50  | 24 | 65  | 6.5 | 15   | 19 | 17.5 | 22 | 13                | 14      | 13       | 0.108       |
| PHS12 / PHS12L           | 12         | 16 | 22.2 | 12   | 30 | M12*1.75 | 50  | 24 | 65  | 6.5 | 15   | 19 | 17.5 | 22 | 13                | 14      | 13       | 0.108       |
| PHS14X1.5 / PHS14LX1.5   | 14         | 19 | 25.4 | 13.5 | 34 | M14*1.50 | 57  | 27 | 74  | 8   | 16   | 22 | 21   | 25 | 17                | 20      | 16       | 0.161       |
| PHS14 / PHS14L           | 14         | 19 | 25.4 | 13.5 | 34 | M14*2.00 | 57  | 27 | 74  | 8   | 16   | 22 | 21   | 25 | 17                | 20      | 16       | 0.161       |
| PHS16X1.5 / PHS16LX1.5   | 16         | 21 | 28.6 | 15   | 38 | M16*1.50 | 64  | 33 | 83  | 8   | 17.5 | 24 | 22   | 27 | 21                | 25      | 15       | 0.225       |
| PHS16 / PHS16L           | 16         | 21 | 28.6 | 15   | 38 | M16*2.00 | 64  | 33 | 83  | 8   | 17.5 | 24 | 22   | 27 | 21                | 25      | 15       | 0.225       |
| PHS18 / PHS18L           | 18         | 23 | 31.8 | 16.5 | 42 | M18*1.50 | 71  | 36 | 92  | 10  | 19.5 | 27 | 25   | 31 | 26                | 30      | 15       | 0.296       |
| PHS20 / PHS20L           | 20         | 25 | 34.9 | 18   | 46 | M20*1.50 | 77  | 40 | 100 | 10  | 21.5 | 30 | 27.5 | 34 | 31                | 35      | 14       | 0.385       |
| PHS20X2.5 / PHS20LX2.5   | 20         | 25 | 34.9 | 18   | 46 | M20*2.50 | 77  | 40 | 100 | 10  | 21.5 | 30 | 27.5 | 34 | 31                | 35      | 14       | 0.385       |
| PHS22 / PHS22L           | 22         | 28 | 38.1 | 20   | 50 | M22*1.50 | 84  | 43 | 109 | 12  | 23   | 32 | 30   | 37 | 38                | 43      | 15       | 0.488       |
| PHS25 / PHS25L           | 25         | 31 | 42.9 | 22   | 60 | M24*2.00 | 94  | 48 | 124 | 12  | 29.5 | 36 | 33.5 | 42 | 47                | 65      | 15       | 0.749       |
| PHS28 / PHS28L           | 28         | 35 | 47.6 | 25   | 66 | M27*2.00 | 103 | 53 | 136 | 12  | 32.5 | 41 | 37   | 46 | 59                | 77      | 15       | 0.949       |
| PHS30 / PHS30L           | 30         | 37 | 50.8 | 25   | 70 | M30*2.00 | 110 | 56 | 145 | 15  | 34   | 41 | 40   | 51 | 63                | 86      | 17       | 1.13        |