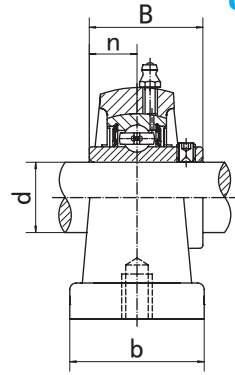
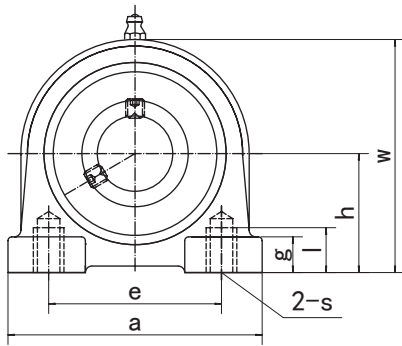


Pillow Blocks

UCPA2 (Normal-duty)



Unit NO.	Dimensions (mm / in.)											Bolt Size mm/in.	Bearing No.	Housing No.	Weight (kg)														
	d	h	a	e	b	s	g	l	w	B	n																		
UCPA201 201-8	12 1/2	30.2	76	52	40	s	11	15	62	31	12.7	M10	UC201 UC201-8	PA201	0.63														
UCPA202 202-9	15 9/16														1-3/16	3	2-3/64	1-9/16	M10	7/16	19/32	2-7/16	1.2205	0.500	UC202 UC202-9	PA202	0.62		
UCPA203 203-11	17 11/16																										UC203 UC203-11	PA203	0.61
UCPA204 204-12	20 3/4																												UC204 UC204-12
UCPA205 205-13	25 13/16	36.5	84	56	38	M10	12	15	72	34.1	14.3	M10	UC205 UC205-13	PA205	0.76														
UCPA205 205-14	7/8	1-7/16	3-5/16	2-13/64	1-1/2										15/32	19/32	2-53/64	1.3425	0.563	UC205-14	0.78								
UCPA205 205-15	15/16																					UC205-15	0.76						
UCPA205 205-16	1																							UC205-16	0.75				
UCPA206 206-17	30 1-1/16	42.9	94	66	50	M14	12	18	84	38.1	15.9	M14	UC206 UC206-17	PA206	1.12														
UCPA206 206-18	1-1/8	1-11/16	3-45/64	2-19/32	1-31/32										15/32	45/64	3-5/16	1.5000	0.626	UC206-18	1.14								
UCPA206 206-19	1-3/16																					UC206-19	1.12						
UCPA206 206-20	1-1/4																							UC206-20	1.11				
UCPA207 207-20	35 1-1/4	47.6	110	80	55	M14	13	20	95	42.9	17.5	M14	UC207 UC207-20	PA207	1.55														
UCPA207 207-21	1-5/16	1-7/8	4-21/64	3-5/32	2-11/64										33/64	25/32	3-47/64	1.6890	0.689	UC207-21	1.58								
UCPA207 207-22	1-3/8																					UC207-22	1.55						
UCPA207 207-23	1-7/16																							UC207-23	1.52				
UCPA208 208-24	40 1-1/2	49.2	116	84	58	M14	13	20	100	49.2	19	M14	UC208 UC208-24	PA208	1.80														
UCPA208 208-25	1-9/16	1-15/16	4-9/16	3-5/16	2-9/32										33/64	25/32	3-15/16	1.9370	0.748	UC208-25	1.81								
UCPA209 209-26	45 1-5/8																					2-9/64	4-23/32	3-35/64	2-23/64	M14	33/64	63/64	4-1/4
UCPA209 209-27	1-11/16	UC209-27	2.11																										
UCPA209 209-28	1-3/4			UC209-28	2.07																								
UCPA210 210-29	50 1-13/16	57.2	130	94	64	M16	14	25	116	51.6	19	M16	UC210 UC210-29	PA210	2.56														
UCPA210 210-30	1-7/8	2-1/4	5-1/8	3-45/64	2-33/64										35/64	63/64	4-9/16	2.0315	0.748	UC210-30	2.63								
UCPA210 210-31	1-15/16																					UC210-31	2.58						
UCPA210 210-32	2																							UC210-32	2.54				
UCPA211 211-32	55 2	63.5	140	104	66	M16	14	25	125	55.6	22.2	M16	UC211 UC211-32	PA211	3.14														
UCPA211 211-33	2-1/16	2-1/2	5-33/64	4-3/32	2-19/32										35/64	63/64	4-59/64	2.1890	0.874	UC211-33	3.23								
UCPA211 211-34	2-1/8																					UC211-34	3.19						
UCPA211 211-35	2-3/16																							UC211-35	3.12				
UCPA212 212-36	60 2-1/4	69.9	150	114	68	M16	15	25	138	65.1	25.4	M16	UC212 UC212-36	PA212	4.12														
UCPA212 212-37	2-5/16	2-3/4	5-29/32	4-31/64	2-43/64										19/32	63/64	5-7/16	2.5630	1.000	UC212-37	4.17								
UCPA212 212-38	2-3/8																					UC212-38	4.10						
UCPA212 212-39	2-7/16																							UC212-39	4.03				
UCPA213 213-40	65 2-1/2	76.2	160	124	70	M16	15	25	150	65.1	25.4	M16	UC213 UC213-40	PA213	4.92														
UCPA213 213-41	2-9/16	3	6-19/64	4-7/8	2-3/4										19/32	63/64	5-29/32	2.5630	1.000	UC213-41	4.92								